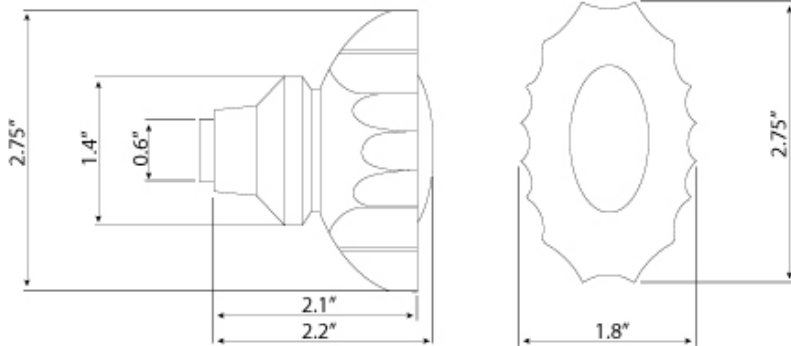


## **Biarritz Crystal Knob**

- > Collection: Grandeur
- > Design code: BIA
- > Material: 24% lead crystal



Biarritz Crystal Knob shown in Satin Nickel