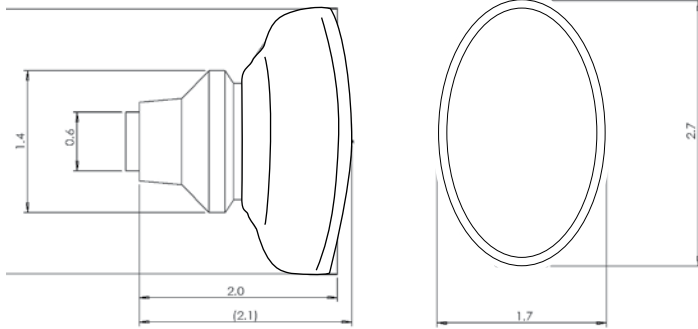


TECHNICAL SPECIFICATIONS

---

## Provence Crystal Knob



- > Collection: Grandeur
- > Design code: PRO
- > Material: 24% lead crystal



Provence Crystal Knob shown in Polished Brass