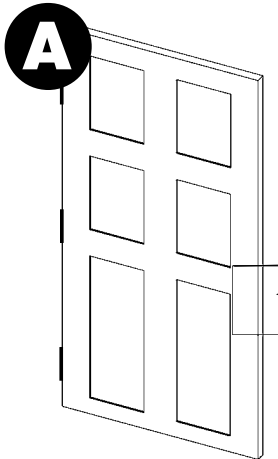
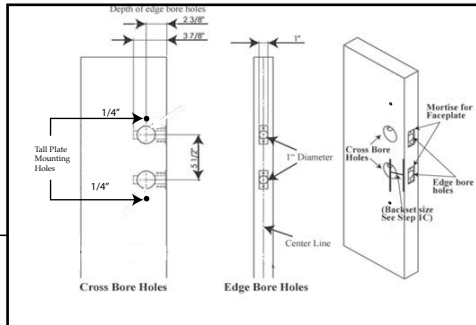


Note: Entrance Tall Plates fit doors 1-3/4" to 2" thick.

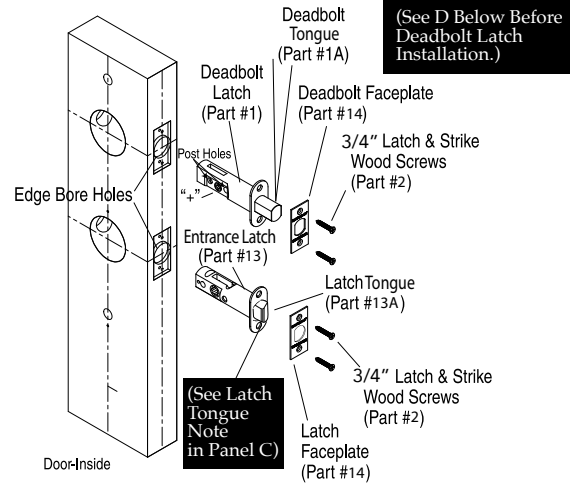


A USE INCLUDED DOOR PREPARATION TEMPLATE FOR NON-PREPARED DOORS.



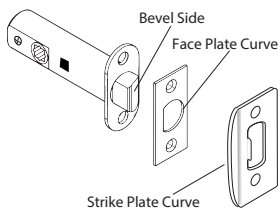
USE INCLUDED PLASTIC TEMPLATE TO LOCATE AND DRILL THE TWO TALL PLATE 1/4" MOUNTING HOLES. (See note on reverse side.)

B Install deadbolt and entrance latches.

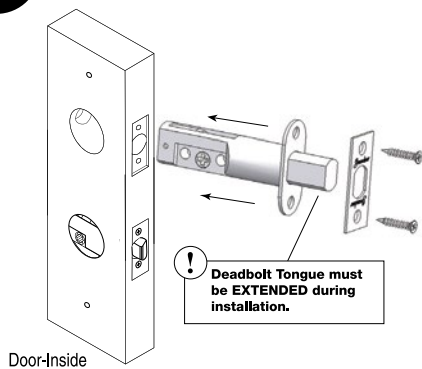


C Latch Tongue Note

Bevel side of latch tongue should contact curved end of face plate, and curved end of strike plate.

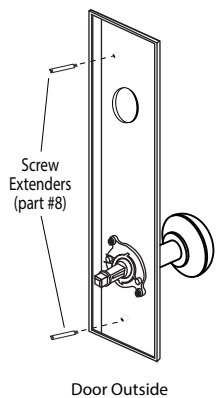


D Deadbolt Latch Tongue Note

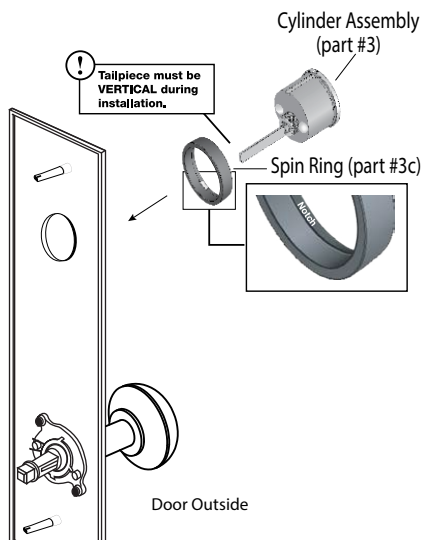


E Intall screw extenders into exterior tall plate.

Tighten securely.



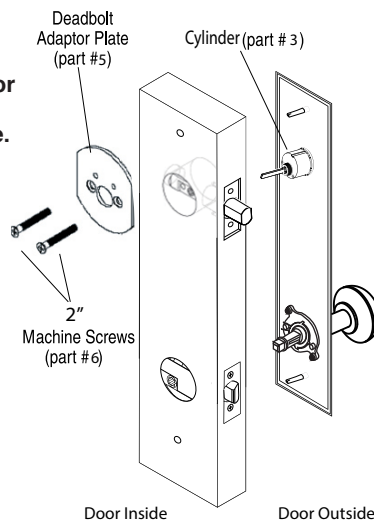
F Install cylinder into exterior tall plate.



G Place exterior tall plate on door outside.

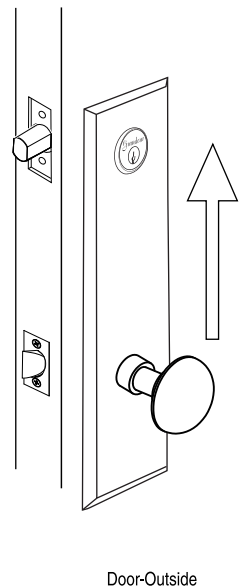
Attach deadbolt adaptor plate with provided screws.

DO NOT FULLY TIGHTEN THESE SCREWS.



H Slide exterior tall plate up, hold, and tighten deadbolt screws.

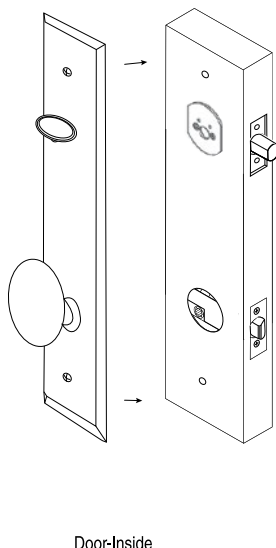
Check knob/lever operation. Latch tongue should retract and extend smoothly.



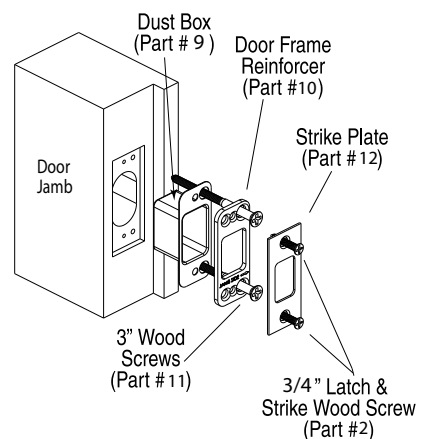
I Attach interior tall plate with included screws.

Check deadbolt operation by turning thumbturn and key.

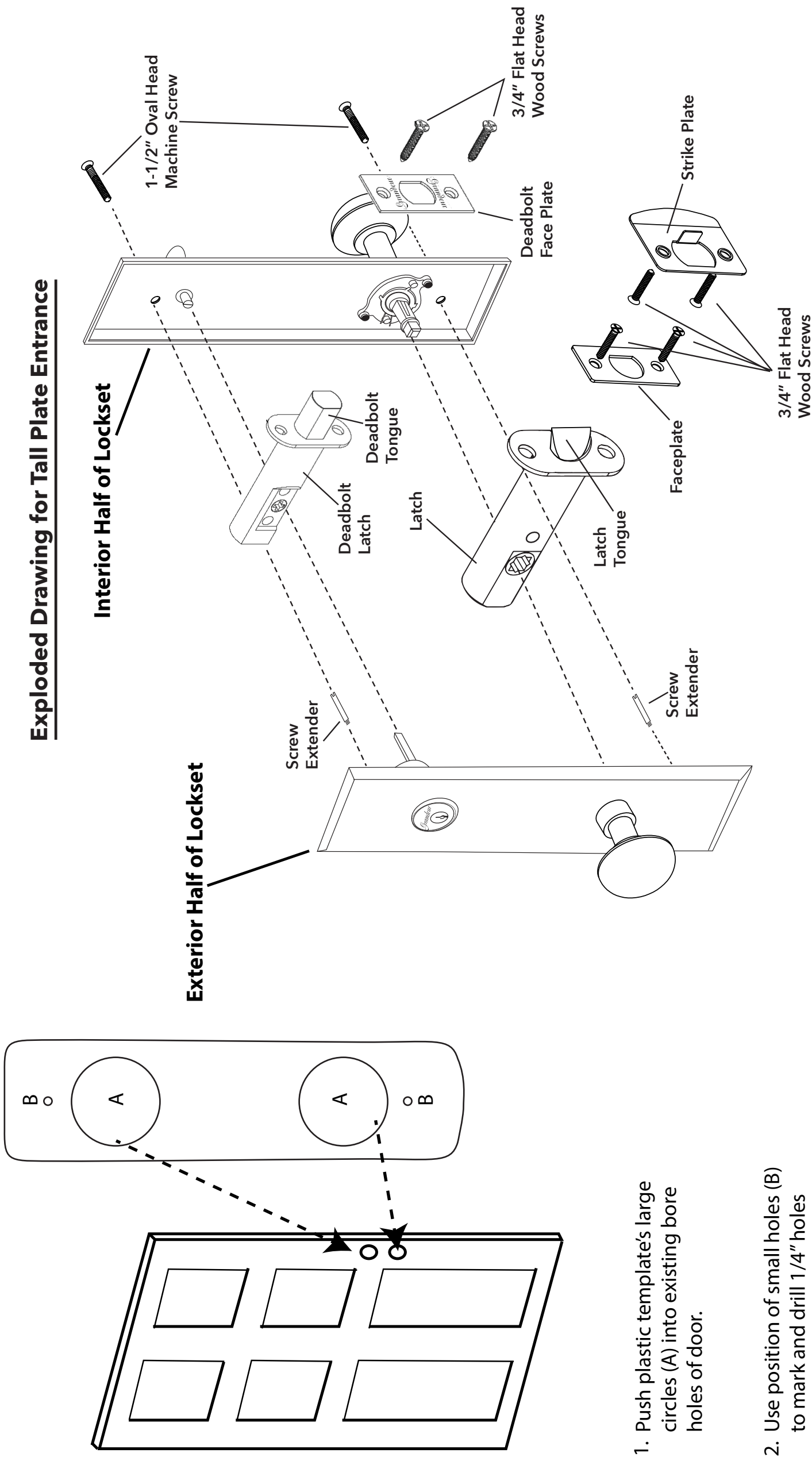
Check knob/lever operation. Latch tongue should retract and extend smoothly.



J Install jamb strike plate.



Exploded Drawing for Tall Plate Entrance



1. Push plastic template's large circles (A) into existing bore holes of door.
2. Use position of small holes (B) to mark and drill 1/4" holes through the door.